

Toy / Blanket Chest



By

R Jones Woodworks

Table of Contents

Introduction	
Legend / Abbreviations	
Dimensioned Drawings	
Details	
Jigs	N/A
Patterns / Templates	N/A
Cut Sheets / Materials List	
References	

Introduction

Designed as a toy box for a child to treasure forever, this basic chest offers great storage and safety for your children's toys today and classic simple lines for your teenagers move into the real world tomorrow.

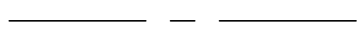
Difficulty: average woodworking skills

Overall Dimensions: 18" deep by 37" wide by 19". tall

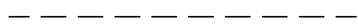
Hours to complete: 15+

SYMBOL

ABBREVIATION



CENTERLINE



HIDDEN JOINERY

☉

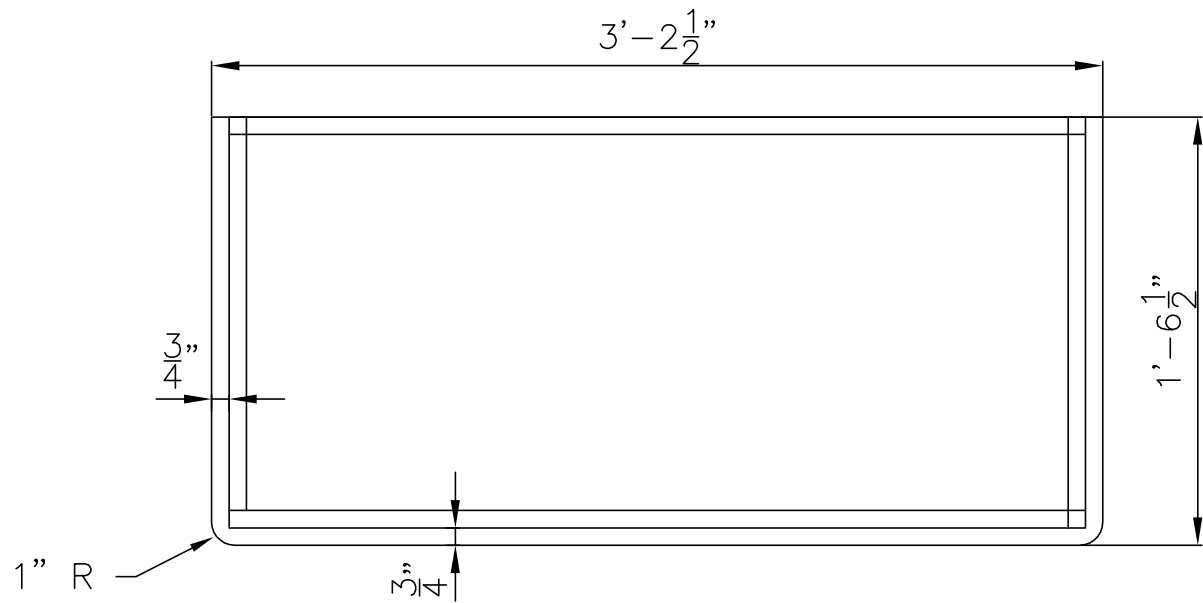
CENTERLINE

NTS

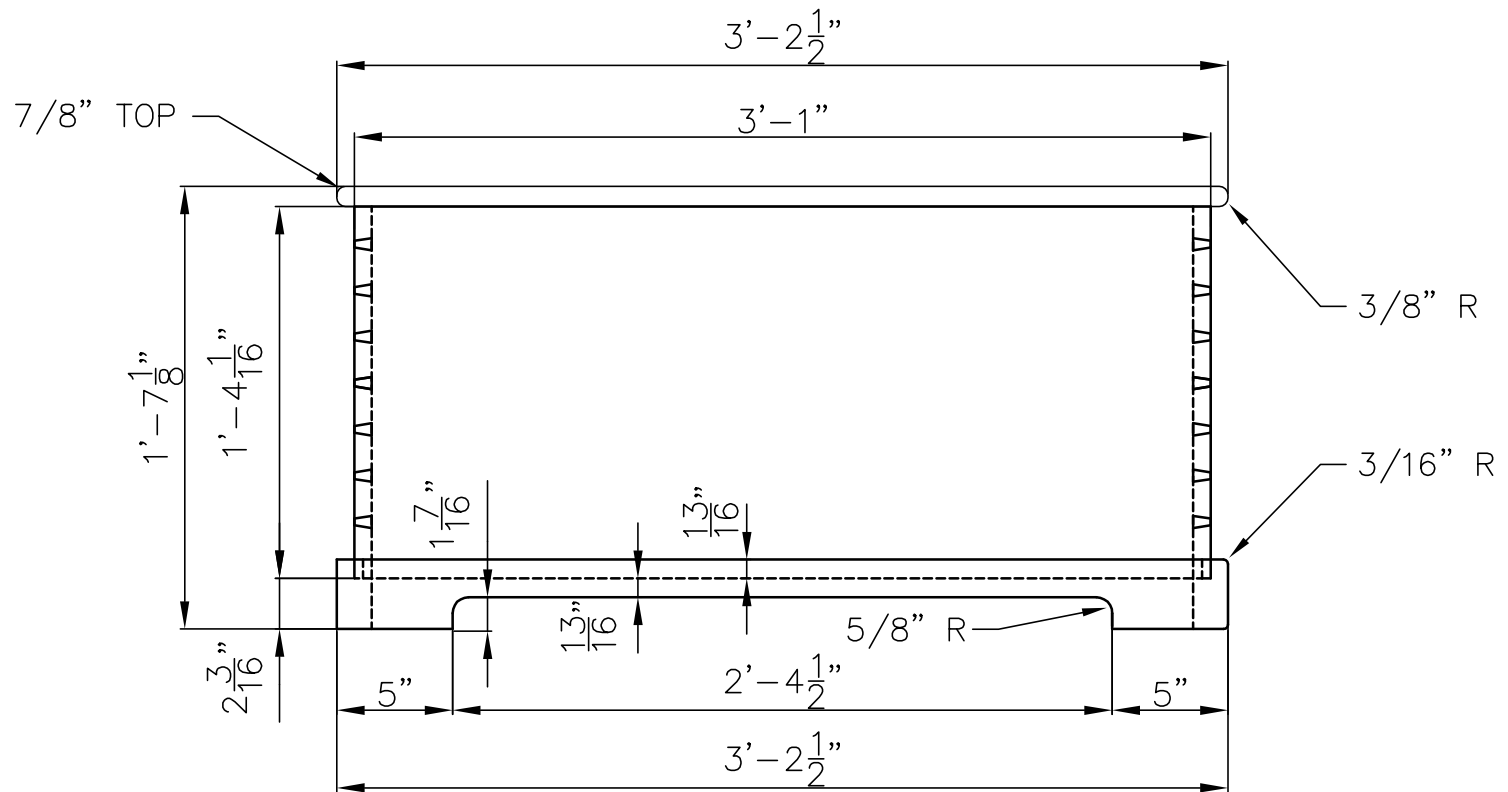
NOT TO SCALE

R

RADIUS



TOP



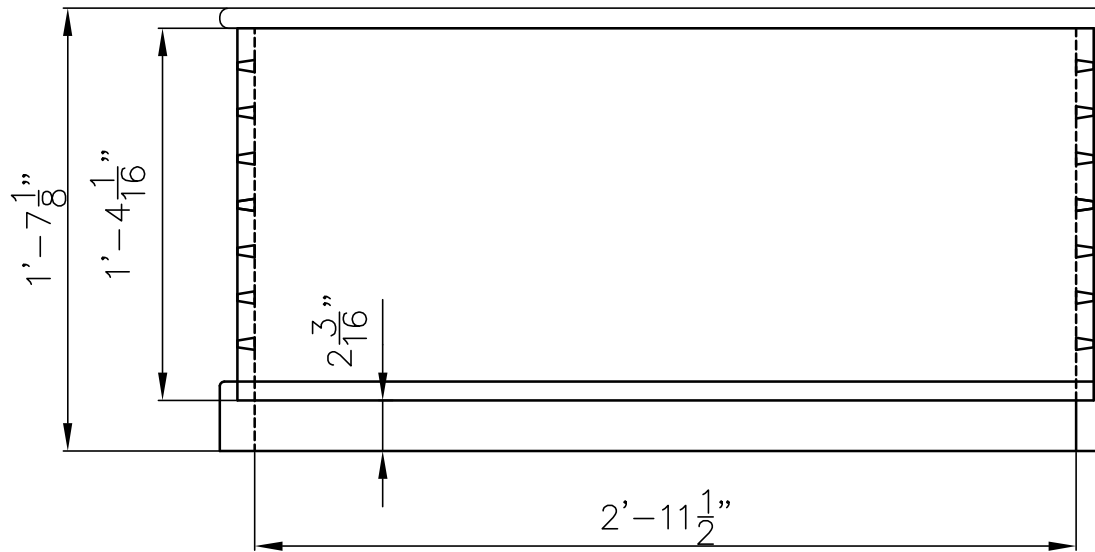
FRONT

WHEN LAYING OUT DOVETAILS CENTER BETWEEN THESE AREAS. DON'T FORGET BOX IS INSET INTO BOTTOM BY 13/16

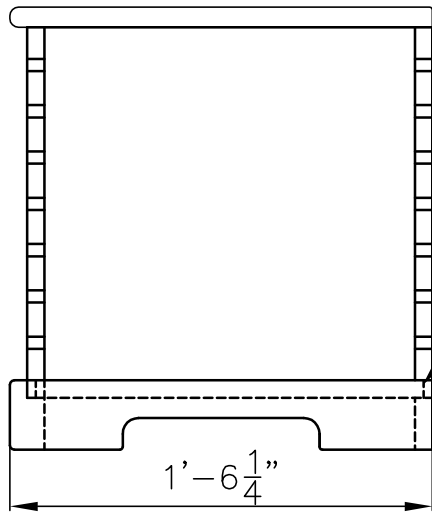
13/16" PLOUGH (TYP) ALL BOTTOM PIECES



SEPARATE PIECE HELPS SUPPORT BOTTOM



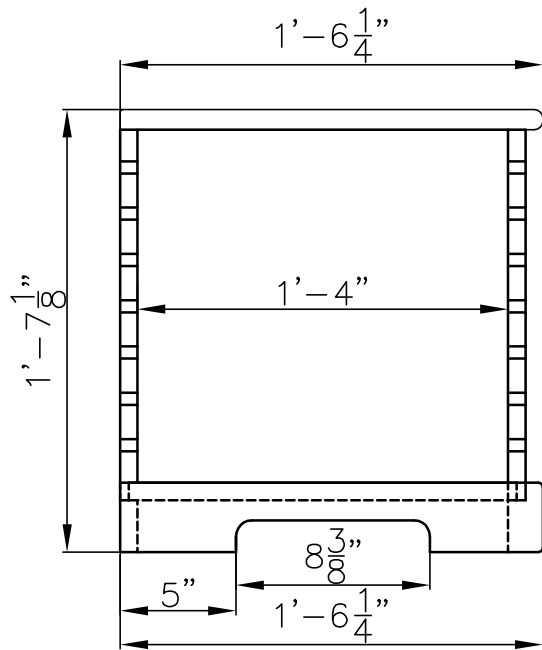
BACK



3/8" DADO TO RECEIVE BOTTOM
TYPICAL ALL SIDES
AT BOTTOM



RIGHT SIDE



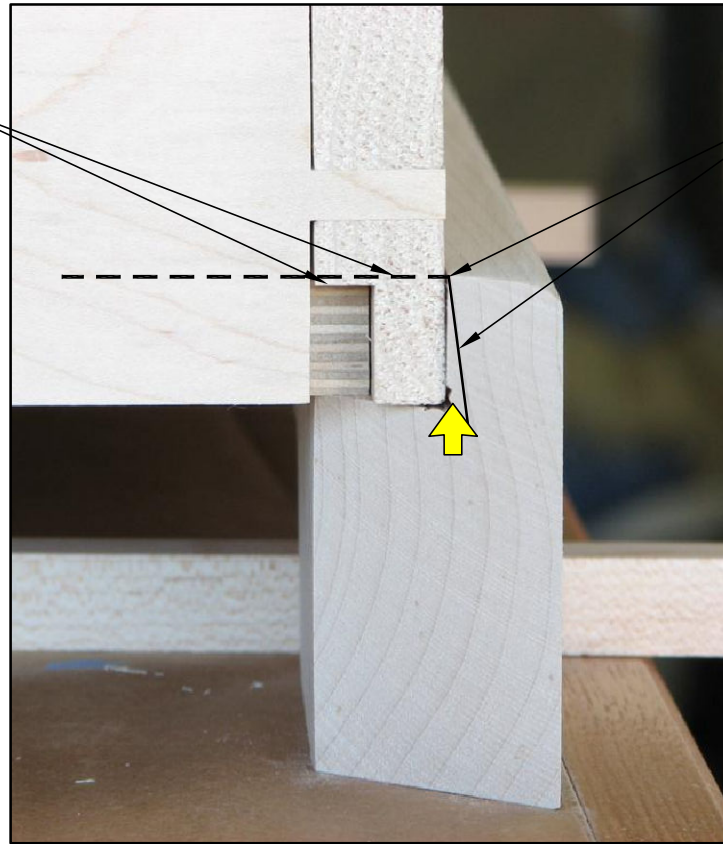
NTS



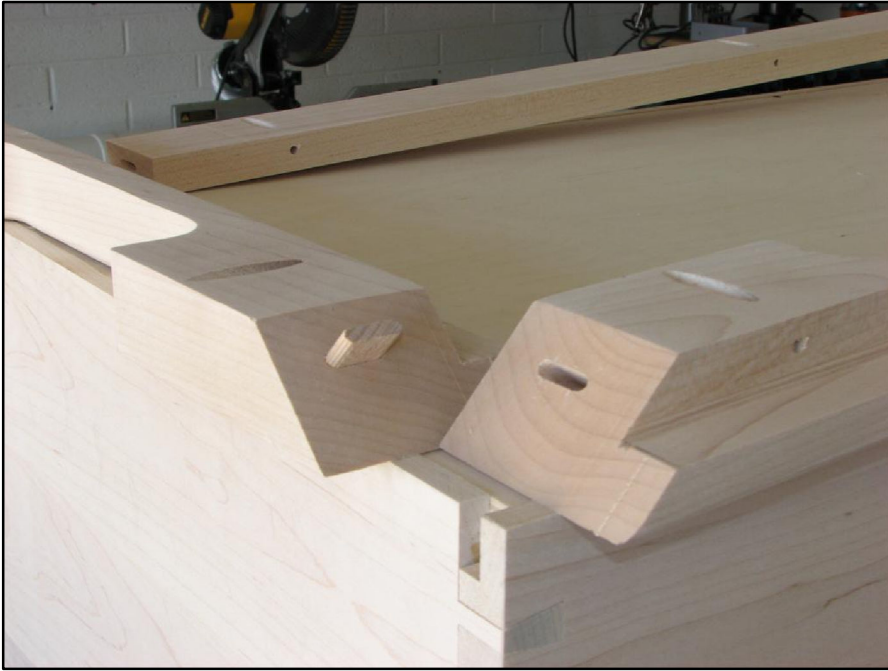
LEFT SIDE

NTS

CREATE A
SLIGHTLY DEEPER
DADO IN THE BASE
MOLDING TO HIDE
3/4" DADO IN
CARCASE



NOTICE 1/32"
CRACK. THIS
ISSUE CAN BE
REDUCED IF DADO
IS BACKCUT BY AT
LEAST 1°



DETAIL "B"

Material List

Parts	Rough Dimensions				Material	BF
	No	L	W	T		
Sheet Goods						
Bottom	1	38	18	3/4	Baltic Birch	
Lumber						
Top	1	38	18	7/8		4.99 BF
front	1	38	17	3/4		4.04 BF
Back	1	38	17	3/4		4.04 BF
Side	2	17	18	3/4		3.83 BF
Base	1	40	3	1 3/8		1.38 BF
Base - Side	2	20	3	1 3/8		1.38 BF
						14.65
Hardware						
Hinge	1	30"-36"		3/4		
<u>Lid Stays</u>	Pt # 26229 - 45-55 inch lbs	1				
	Pt # 26195 - 45-55 inch lbs	1				
Pocket Screws						
Finishes						
<u>Arm R Seal</u>		1 pt				
<u>Shellac</u>		1 pt				

References

[Applying the Finish with the Wood Whisperer](#) – Is this podcast Marc covers the basics of applying the Seal-R-Cell finish

Matt's Basement Workshop - [Review of butt joints to rabbets \(audio only\)](#)

Matt's Basement Workshop - [Video of rabbet construction](#)

Matt's Basement Workshop - [Rabbet Joinery Review Pt 1](#)
[Rabbet Joinery Review Pt 2](#)